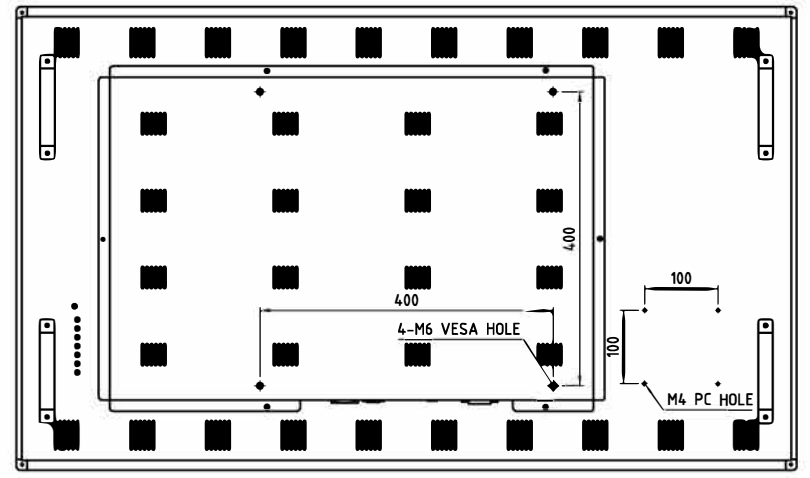
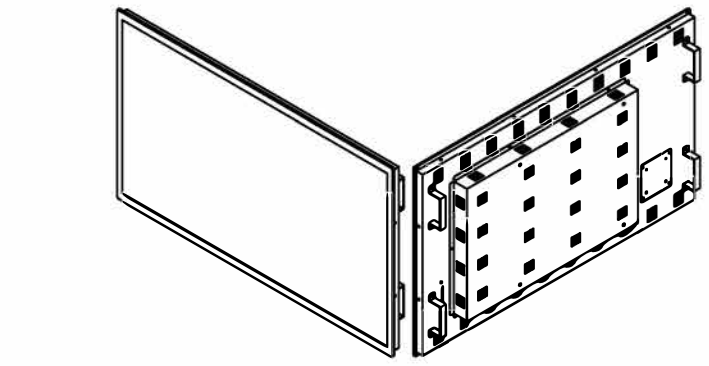
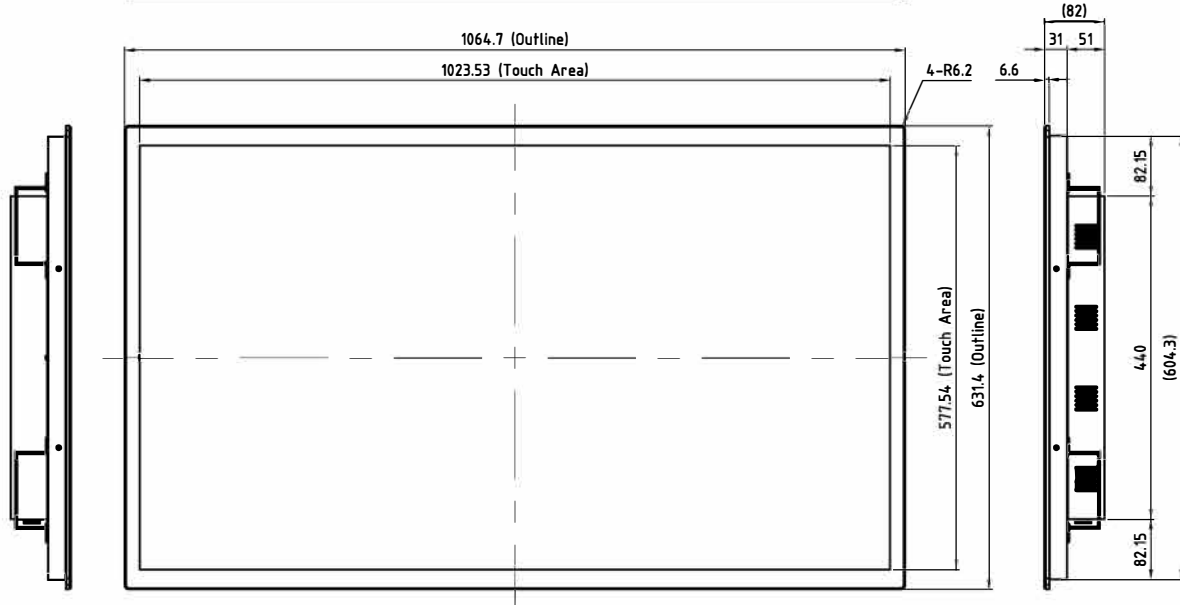
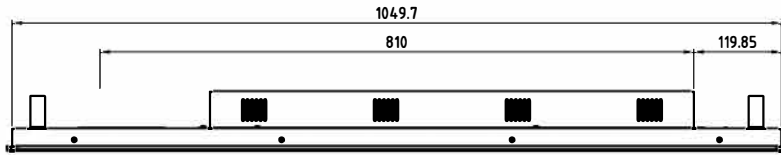


개정번호 REVISION NO.	개정내용 DESCRIPTION	날짜 DATE
V 1.0	Issued First	2016.05.27
V 1.1	외장 PC HOLE 추가	2016.08.10



Model No.	EPN460-V1					Product No.	EPN460					
Part No.	-					Q'ty	-					
TOLERANCE (±MM)	Dim.	0	6	30	120	400	1000	PROJECTILE	SCALE	UNIT	SIZE	DATE
	Class	-6	-30	-120	-400	-1000	-2000					
	A	0.05	0.1	0.15	0.2	0.3	0.5					
	B	0.1	0.2	0.3	0.5	0.8	1.2					
Customer Approval	DESIGNED	CHECKED	APPROVED			3RD ANGLE PROJECTION	1/5	mm	A2	2016.08.10		
	MJ CHOI					DRAWING NAME	EPN460 V1					
						DRAWING NO.	EPN460					
						SHEET NO.	SHEET 1 OF 1					