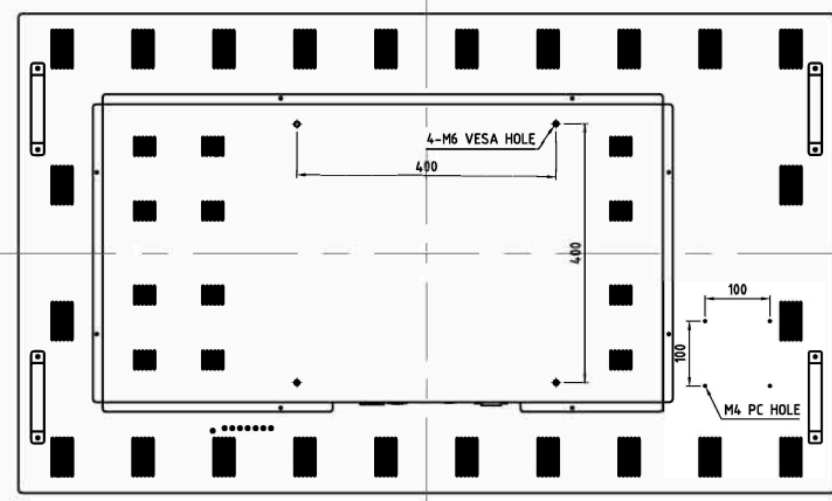
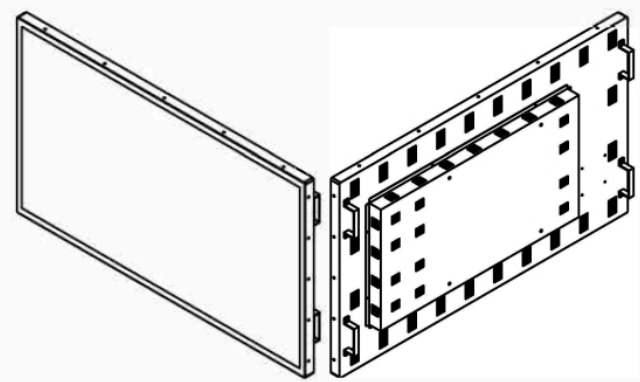
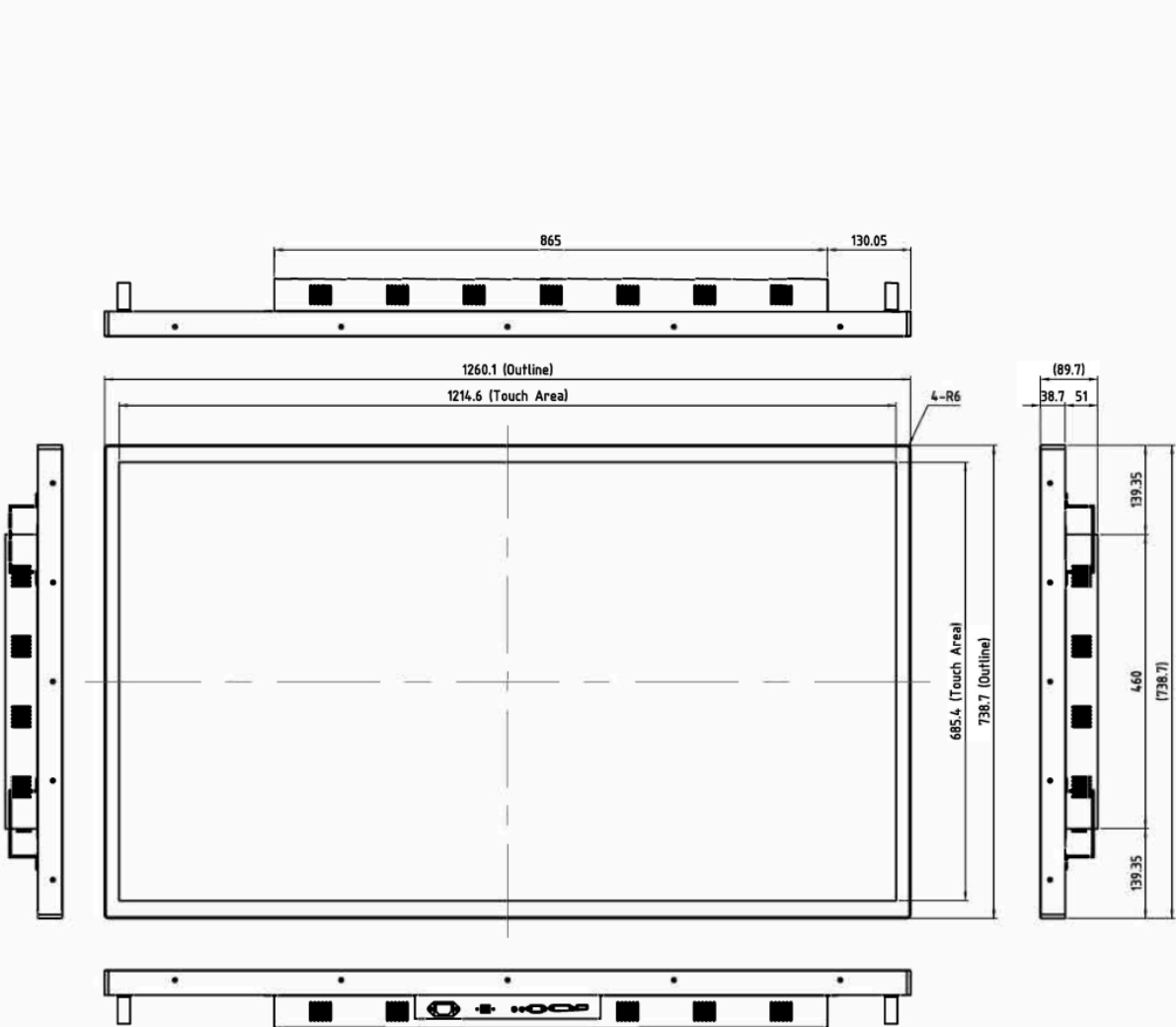


개정 번호 REVISION NO.	개정 내용 DESCRIPTION	날짜 DATE
V 1.0	Issued First	2015.11.04
V 1.1	외장 PC HOLE 추가	2016.08.10



Model No.	EPN550						Product No.	EPN550				
Part No.	-						Q'ty	-				
TOLERANCE (±MM)	Dim.	0	6	30	120	400	1000	PROJECTILE	SCALE	UNIT	SIZE	DATE
	Class	-6	-30	-120	-400	-1000	-2000					
	A	0.05	0.1	0.15	0.2	0.3	0.5					
	B	0.1	0.2	0.3	0.5	0.8	1.2					
③	0.3	0.5	0.8	1.2	2	3	3RD ANGLE PROJECTION	1/4	mm	A1	2016.08.10	
Customer Approval	DESIGNED	CHECKED	APPROVED					DRAWING NAME	EPN550-V2			
					DRAWING NO.	EPN550-V2						
					SHEET NO.	SHEET 1 OF 1						