

19"Industrial Monitor(Front IP65)

EXP-190-PCT

Product:19"Industrial Monitor

Version:Ver.1.0

Contents

1.Overview

2.General description

3.Adaptor description

1.Overview

1)Features:

- ◆ 160°/160 view angle
- ◆ 19"5:4 LED Backlight Monitor,1280x1024 resolution
- ◆ 1000:1 contrast ratio
- ◆ 400cd/m² brightness
- ◆ Port: VGA,DVI,HDMI
- ◆ Projected Capacitive Touch
- ◆ Aluminum alloy case.
- ◆ 50,000 hours LED life time.
- ◆ Front IP65
- ◆ CE, FCC

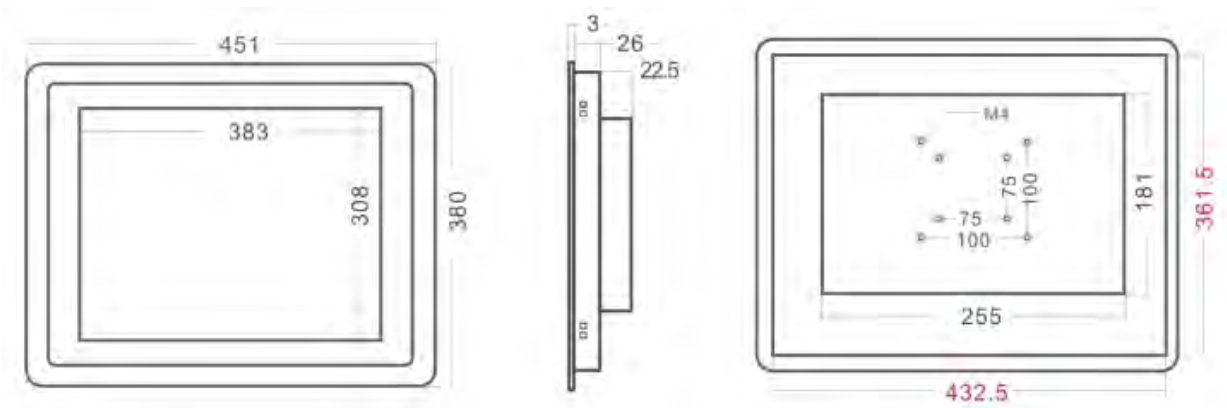
2) Photos



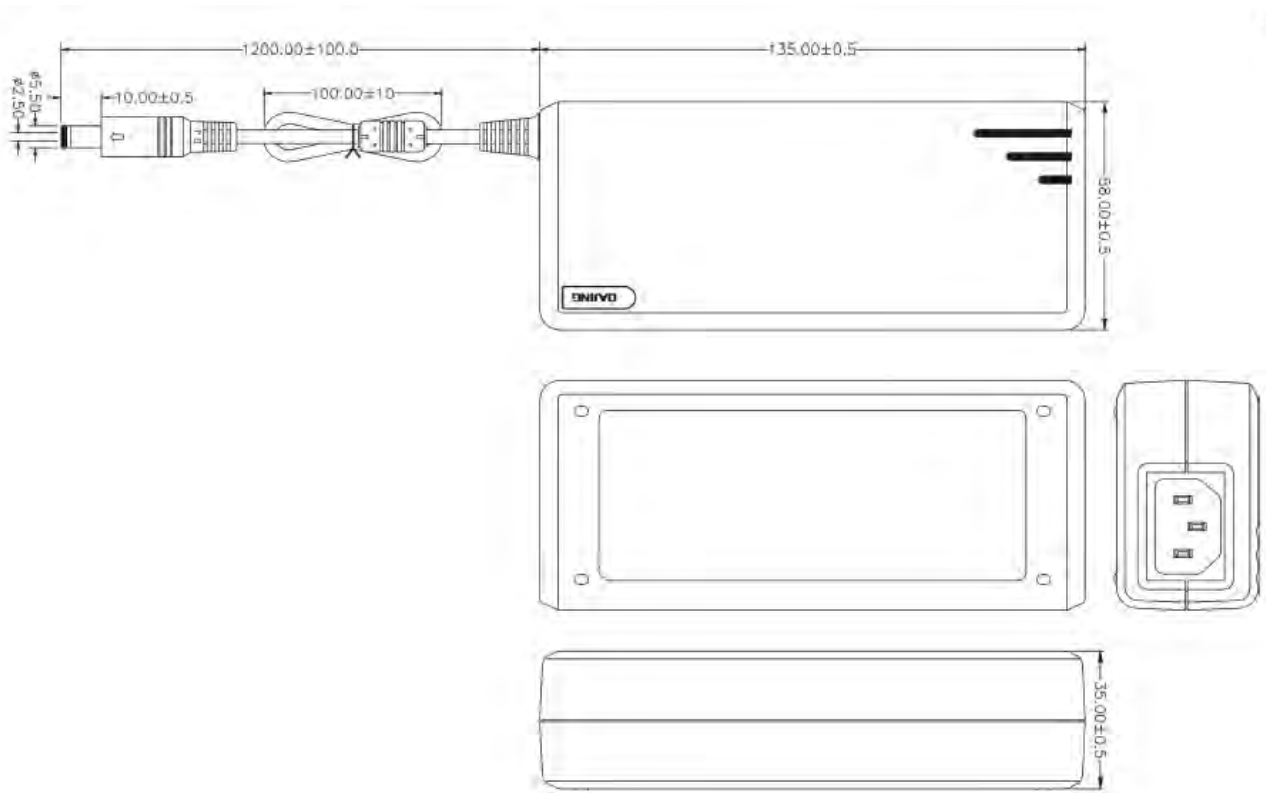
2. General Description:

Screen diagonal dimension	19 inch
Viewable area W x H(mm)	383(H)x308(V)mm
Led Type	LED
Screen Maximum Resolution	1280x1024
Color Depth	16.7 Million colors
Brightness	400 cd/m ²
Auto Adjust	Yes
Monitor Aspect Ratio	5:4
Display Aspect Ratio	5:4
Contrast Ratio	1000:1
Response Time(ms)	5ms
View Angle H/V(degrees)	160°/160°
Port inputs	VGA+DVI+HDMI+USB
Speakers	Optional
OSD Languages	English, Spanish, German, Chinese, French, Italian
VESA Mounting Pattern	100 x 100 & 75x75mm
Touch(Projective Capacitive)	
Active Area	478x269.24mm
Surface Hardness	≥7H
Consumption	≤0.5W
Touch Points	10 Touch Points
Lifespan	50 millions cycles
Response Time	≤10ms
Complaint O/S	WinXP,Win7,Win8,Win10,Android,Linux
Transparency	≥95%
Others	
Gross Weight	7.25G
Power- Watts(on and standby)	< 35W
Power input (External)	12V,5A
Operating Temperature	32° ~ 104°(0°C ~ 40°C)
Storage Temperature	-4° ~ 140°(-20°C ~ 60°C)
Operating Humidity	10 ~ 85%

3.Drawing:



4.Adaptor description:



Features:

Over-Voltage Protection

1.1 Over-voltage protection shall be included in the adaptor circuit. A single component failure must not cause an over voltage.

1.2 Over-Current Protection

The power supply shall be protected (hiccupped & power reduced) when any output operating in overload condition under any line condition for an indefinite period of time. The power supply shall be self-recovery when the fault condition is removed.

ENVIRONMENTAL CONDITIONS

2.1 Operating

The power supply shall be capable of operating normally in any mode without malfunction happens in the following environmental conditions.

2.1.1 Operating Temperature: 0 °C ~ 40 °C (Can operate normally)

Relative Humidity: 10% ~ 90%

Altitude: Sea level to 2,000 m.

2.1.2 Vibration: 1.0mm, 10 –55Hz, 15 minutes per cycle for each axis (X, Y, Z).

2.1.3 Cooling: Natural convection cooling

2.2 Non - Operating

The power supply shall be capable of withstanding the following environmental conditions extended periods of time, without sustaining electrical or mechanical damage and subsequent operational deficiencies.

2.2.1 Storage Temperature: -30 °C ~ 70 °C

2.2.2 Relative Humidity: 10% ~ 90%

2.2.3 Altitude: Sea level to 2,000 m.

2.2.4 Vibration and Shock:

The power supply shall be designed to withstand normal transportation vibration per MIL–STD-810D, method 514 and procedures X, as it is mounted in the chassis assembly and packed for shipping

RELIABILITY AND QUALITY CONTROL

3.1 Burn-In

The power supply shall withstand a minimum of **2** hours Burn-In test under full load at 25 °C ~40 °C room temperatures, after test, product shall operate normally.

3.2 Component Derating

Semiconductor junction temperatures shall not exceed the manufacturer's maximum thermal rating.

5.Photos:

