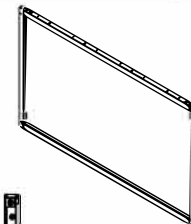
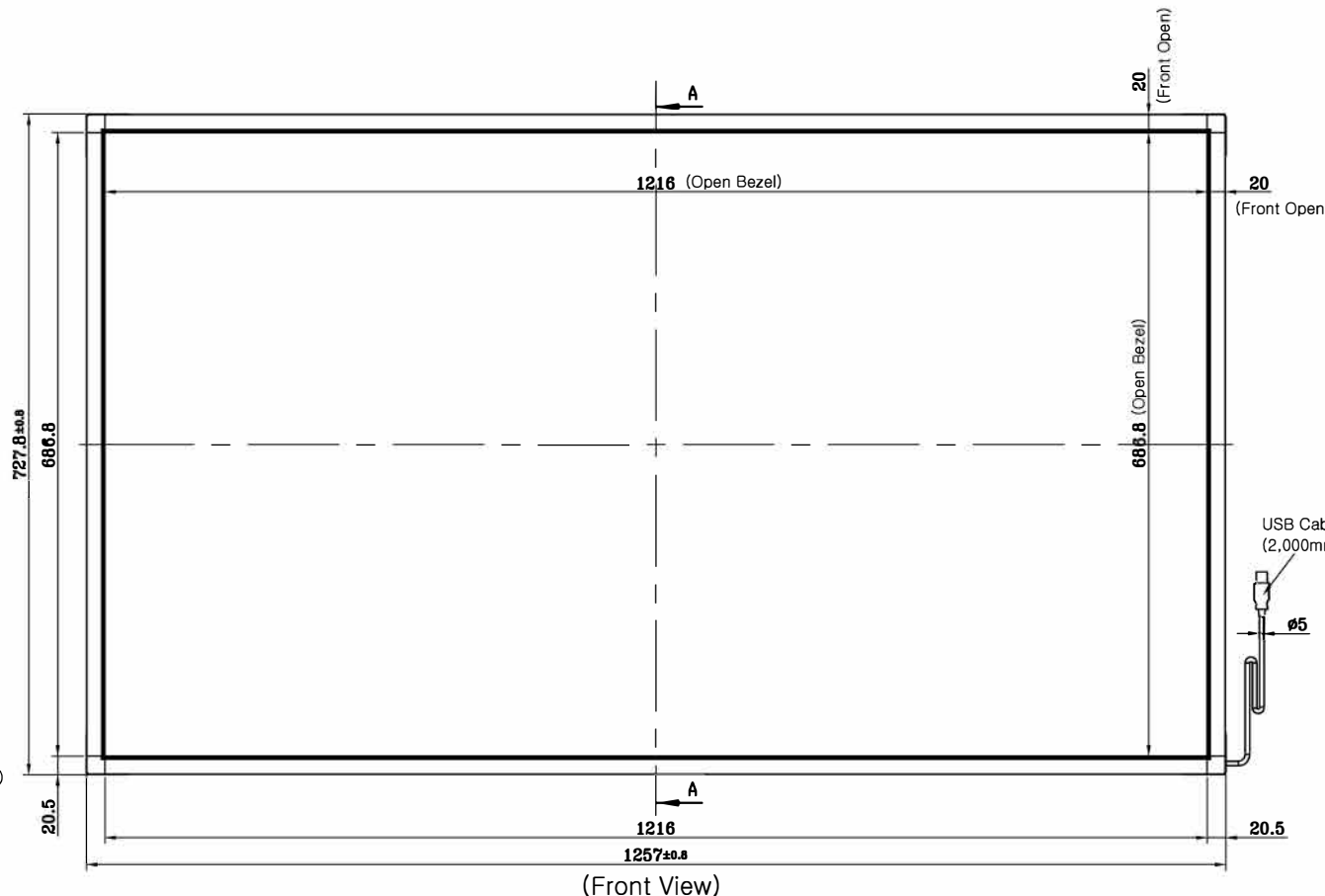


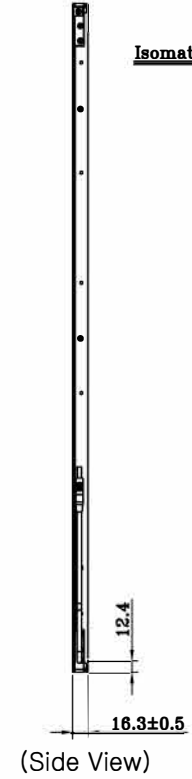
REVISION NO	DESCRIPTION	DATE
V 1.0	Issued First	2012.12.03
V 1.1	ATI Corner Cover, ATI Corner 금형 수정	2013.01.22



**Isometric View**



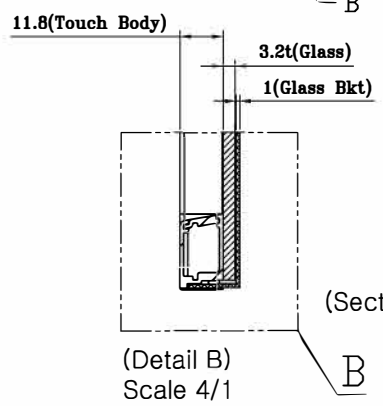
(Front View)



(Side View)



(Bottom View)



(Detail B)  
Scale 4/1

Model No.		Product No.		RAI-550 - - - -					
Part No.		Q'ty		1					
TOLERANCE (MM)	Dim	0	6	30	120	400	1000	PROJECTILE SCALE UNIT SIZE DATE	
	Class	-6	-30	-120	-400	-1000	-2000		
	A	0.05	0.1	0.15	0.2	0.3	0.5		3RD ANGLE PROJECTION 1/4 mm A2 2013.01.22
	B	0.1	0.2	0.3	0.5	0.8	1.2		
	C	0.3	0.5	0.8	1.2	2	3	DRAWING NAME	
		DESIGNED	CHECKED	APPROVED		DS LIM		DRAWING NO.	
								SHEET NO. SHEET 1 OF 1	